

Technical details

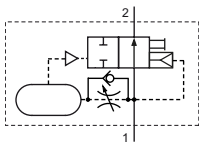
Temperature range	-10°C ... +70°C
Medium	Filtered, oil-free and dried compressed air according to ISO 8573-1:2010, Class 7:2:4, instrument air, free of aggressive additives. Alternatively the pressure dew point must be at least 10°C below lowest occurring ambient temperature.
Materials	Body: Al (anodized), seals: NBR and POM, inner parts: Al, stainless steel and brass



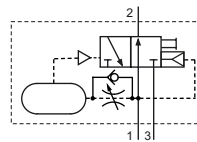
The valve is interrupting a permanent pneumatic signal and provides an impulse. The duration of the impulse is adjustable. Not activated, the incoming air at port 1 has free flow to port 2. Depending on the adjusted time at the adjusting screw (see drawing below), the valve will change position, closing using the model SUZ-18-210-H, or air is vented from port 2 to port 3 using model SUZ-18-310-H.

The valve will maintain this position until there is A new air signal at port one. This will switch the valve back to the NO position and keeps it open based on the adjusted time setting.

Operating the manual override is switching the valve back to its NO position.

2/2-way valve


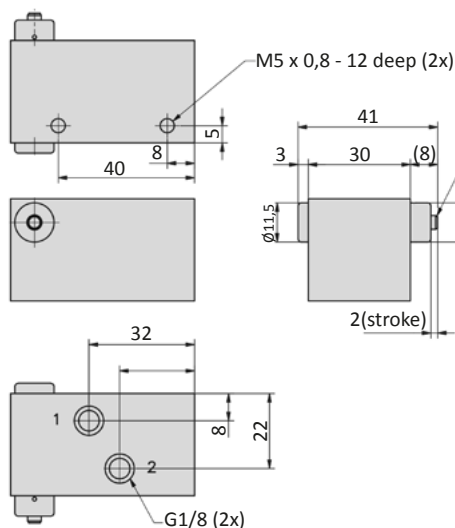
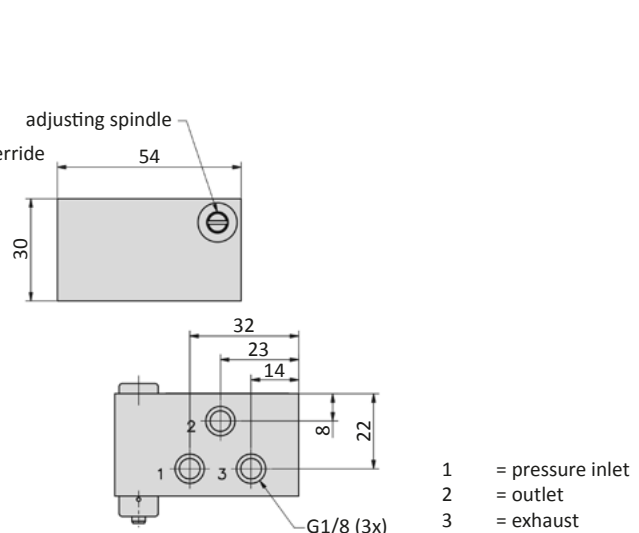
SUZ-18-210-H
signal interrupter,
2/2-way, adjustable time delay,
manual override non-detend

3/2-way valve


SUZ-18-310-H
signal interrupter,
3/2-way, adjustable time delay,
manual override non-detend

Technical data

Model-no.:	SUZ-18-210-H	SUZ-18-310-H
Connection	G1/8	G1/8
Nominal size (mm)	6	5,3
Operating pressure (bar)	3 ... 10	3 ... 10
Pilot pressure (bar)	3 ... 10	3 ... 10
Duration of pulse (s)	0,3 ... 5	0,3 ... 5
Reset time (s)	0,1	0,1
Flow rate (NI/min)	500	480
Weight (kg)	0,135	0,135

Dimensions
SUZ-18-210-H

SUZ-18-310-H


- 1 = pressure inlet
- 2 = outlet
- 3 = exhaust